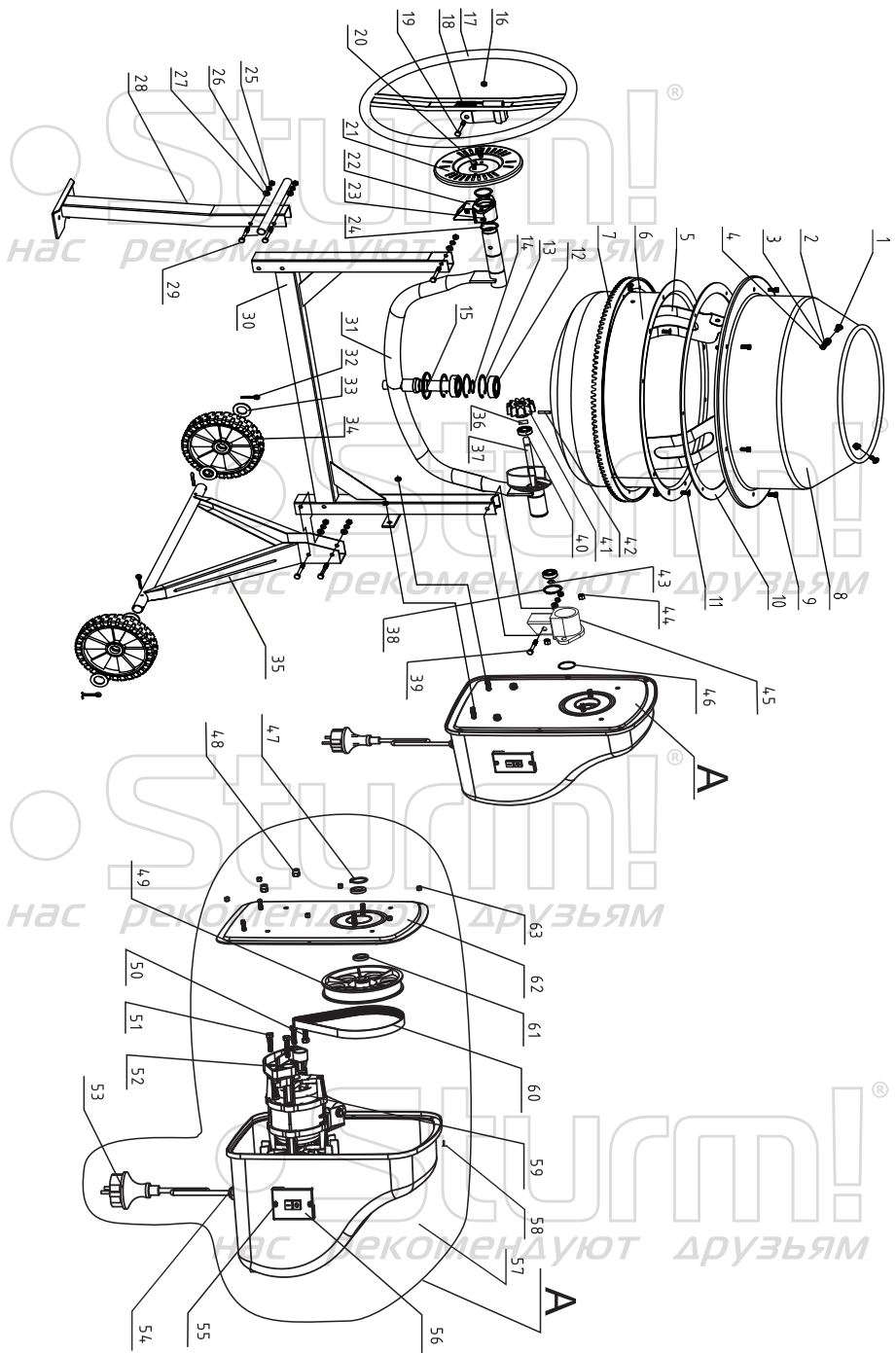


CM20161CI



NO.	DESCRIPTION	NO.	DESCRIPTION
1	BOLT M8X20	33	FLAT WASHER 27
2	FLAT WASHER 8	34	WHEEL
3	SPRING WASHER 8	35	AXLE BRACKET
4	NUT M8	36	ADJUSTING WASHER 14X1.5
5	MIXING BLADE	37	DRIVE SHAFT
6	LOWER DRUM	38	CIRCLIP 42
7	COGWHEEL	39	BOLT M8X65
8	UPPER DRUM	40	BEARING 6003
9	BOLT M8X16	41	DRIVE PINION
10	RUBBER LEATHER	42	LOCK PIN 5X30
11	BOLT M8X14	43	CIRCLIP 17
12	BEARING 6206	44	LOCK NUT M8
13	CIRCLIP 62	45	BRACKET BASE - RIGHT
14	CIRCLIP 30	46	CIRCLIP 42
15	DUSTPROOF COVER	47	CIRCLIP 30
16	LOCK NUT M10	48	LOCK NUT M8
17	TIPPING WHEEL	49	IDLE PULLEY
18	SPRING	50	BOLT M8X30
19	BOLT M10X65	51	BOLT M8X25
20	BOLT M8X20	52	MOTOR MOUNT BRACKET
21	ANGLE DISK	53	POWER CORD
22	BRACKET BASE-LEFT	54	STRAIN RELIEF
23	LOCK NUT M8	55	BOLT M5X16
24	CIRCLIP 38	56	SWITCH
25	NUT M8	57	MOTOR COVER
26	SPRING WASHER 8	58	BOLT M5X12
27	FLAT WASHER 8	59	MOTOR
28	FRAME	60	BELT
29	BOLT M8X70	61	ADJUSTING WASHER 30X0.7
30	FRAME	62	END PLATE
31	SUPPORT ARM	63	NUT M5
32	OPEN AHEAD 4X40		

CM20161CI-EX-RU241025-1